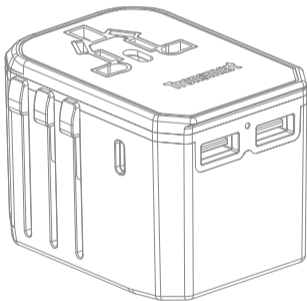




WCP05 Universal Travel Adapter

With PD 3.0 & QC 3.0



User Manual

INTRODUCTION

Thank you for choosing Tronsmart WCP05 Universal Travel Adapter! Please read this manual carefully before use as it contains important information. If you have trouble understanding or following the instructions in this manual, please contact our customer support team at support@tronsmart.com.

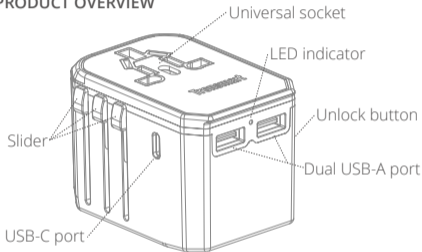
SPECIFICATIONS

Model	WCP05
AC socket	AC 100 - 240V , 800mA Max.
DC output	33W Max.
USB-A	Single port: DC 5V, 2.4A Max. Dual port: Total 5V/3A, 15W Max.
USB-C (PD 3.0/QC 3.0)	PD 3.0: 5V/3.0A , 9V/2.0A , 12V/1.5A QC 3.0: 5-6V/3.0A , 6-9V/2.0A , 9-12V/1.5A
Technology compatibility	PD 3.0 / QC 3.0 / QC 2.0 / FCP / AFC
Certification	FCC / CE / RoHS
Dimension	55 x 53 x 74mm / 2.16 x 2.08 x 2.91in (L x W x H)
Weight	155g / 5.43 oz

PACKAGE CONTENTS

- 1 x Travel adapter
- 1 x Warranty card
- 1 x User manual

PRODUCT OVERVIEW



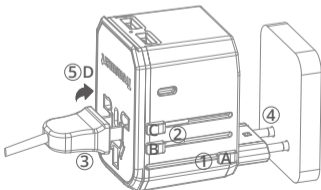
COMPATIBILITY

- It is an all in one universal multi-functional travel adapter that covers more than 150 countries with US/EU/UK/AU plugs, which is a perfect solution for all your charging needs.
- The AC socket provides up to 880W of power at AC 110V and 1840W at AC 230V (Note: AC socket can't convert electrical output current and voltage).

· Equipped with one USB-C and two USB-A ports. It supports fast charge for all USB devices including the smartphones, tablets, MP3/MP4 player, digital cameras and more.

HOW TO USE THE ADAPTER

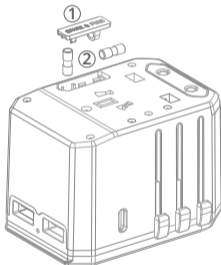
1. Before use, confirm all sliders are placed securely into their closed position. Make sure you have slid back other prongs when using your needed prongs.
2. Press and slide down button A to use EU prongs.
Press and slide down button B to use UK prongs.
Press and slide down button C to use US/AU prongs.
3. Plug your charge appliance or the USB charging cable into the adapter.
4. Plug the adapter into the wall socket.
5. After use, press the lock button D and move the slider completely back to its starting position.



REPLACE THE POWER PROTECTION FUSE

Your worldwide travel adapter comes with an extra 8A fuse. This is overload fuse that will automatically cut off when overloaded.

1. Remove the cover to access the replacement fuse.
2. Remove the old fuse and replace with a new one (can only use the 8A fuse).



CAUTION

- Does not convert voltage.
- Do not use with appliances requiring ground connection.
- Unplug when not in use.

- Keep out of reach of children.
- Do not expose to liquid or moisture.
- For indoor use only.

WARRANTY INFORMATION

Your Tronsmart WCP05 Universal Travel Adapter is warranted to the original owner for 18 months from the date of purchase against defects in material and workmanship under normal use and service. Should your product prove defective within 18 months from the date of purchase, return the defective part or unit, freight prepaid along with an explanation of the claim. Please pack the product carefully to avoid damages in transit. Under this warranty, Tronsmart will repair or replace any parts found to be defective due to manufacturer's defect. This warranty extends only to personal use and does not extend to any product that has been used for commercial use, rental use, or use which is not intended. There are no warranties other than that expressly set forth herein. This warranty is not transferable. Tronsmart is not responsible in any way for damages, losses or inconveniences caused by equipment with the 'User Manual' or any additional safety, use, or warnings included in the product materials. Further, Tronsmart is not liable for incidental use of this product and any liability shall not exceed the purchase price of the product.

This Warranty gives you specific legal rights. You may also have other rights which vary from state to state.

THIS WARRANTY DOES NOT APPLY TO THE

- Damage due to accident, misuse, abuse, alterations or vandalism.
- Improper or inadequate maintenance.
- Unauthorized modifications or commercial use.
- Damage in return transit.
- Unsupervised use by children under 18 years of age.

(Tronsmart and its subsidiaries assume no liability for damage caused by the use of the WCP05 Universal Travel Adapter other than for its intended use or as instructed above in the User Manual.)



SHENZHEN GEEKBUY E-COMMERCE CO., LTD.

19th Floor, Galaxy World Tower B, #1 YaBao Rd.,

LongGang District, Shenzhen, China

Email: support@tronsmart.com

800-270-1082 (USA & Canada)

+86-755-23603740 (Global)



www.tronsmart.com

Made in China